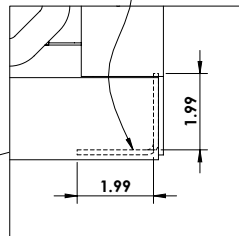
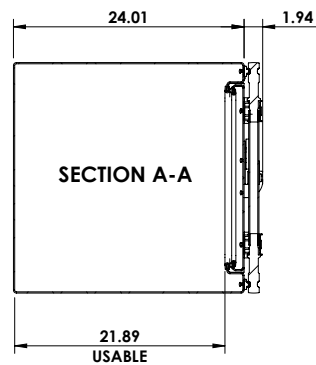
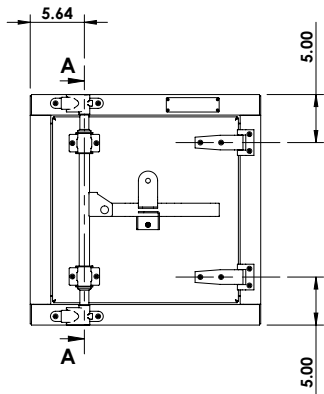
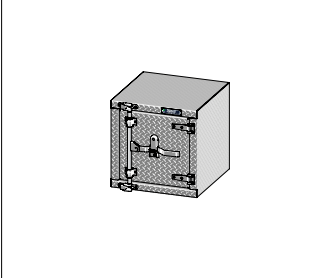
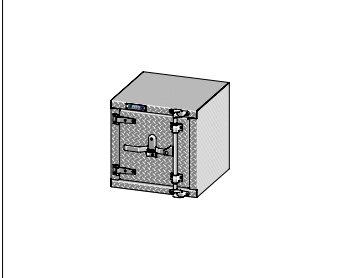


REINFORCEMENT ANGLE INSTALLED IN RIGHT AND LEFT BOTTOM CORNERS



DETAIL B  
SCALE 1 : 5

AVAILABLE CONFIGURATIONS



REVISIONS		
REV.	DESCRIPTION	DATE
1	INITIAL RELEASE	01/12/2017

REV: **1**  
DATE: 1/12/2017



This Document is the sole property of Trebor Manufacturing

SHEET SCALE: 1:20 SHEET SIZE: 8.5" x 11" PAGE: 1 OF 1

Dimensions are in inches unless otherwise specified

PART NO: **TRID2424P**  
DESCR: **24D" x 24H" x 24W" Under body tool box w/1 door Right hand , Compression cam lock**

MATERIAL: **0.125 Alum. Checkerplate 3003-H14**  
APROX. WEIGHT: **61.46 LB** USABLE VOL.: **7.21 CU. FT.**  
TOLERANCES: **.xx ± 0.13" .xxx ± 0.010"**

	1	2	3	4	5	6						
A					AVAILABLE CONFIGURATIONS							
B					OPEN LEFT		OPEN RIGHT(SHOWN)					
C												
D					PART NO: <b>TRID2424P</b> DESCR: <b>24D" x 24H" x 24W" Under body tool box w/1 door Right hand , Compression cam lock</b>		MATERIAL: <b>0.125 Alum. Checkerplate 3003-H14</b> APROX. WEIGHT: <b>61.46 LB</b> USABLE VOL.: <b>7.21 CU. FT.</b> TOLERANCES: <b>.xx ± 0.13" .xxx ± 0.010"</b>		REVISIONS <table border="1"> <thead> <tr> <th>REV.</th> <th>DESCRIPTION</th> <th>DATE</th> </tr> </thead> <tbody> <tr> <td>1</td> <td>INITIAL RELEASE</td> <td>01/12/2017</td> </tr> </tbody> </table> REV: <b>1</b> DATE: 1/12/2017  This Document is the sole property of Trebor Manufacturing SHEET SCALE: 1:20 SHEET SIZE: 8.5" x 11" PAGE: 1 OF 1		REV.	DESCRIPTION
REV.	DESCRIPTION	DATE										
1	INITIAL RELEASE	01/12/2017										
	1	2	3	4	5	6						