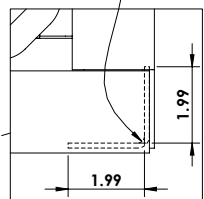
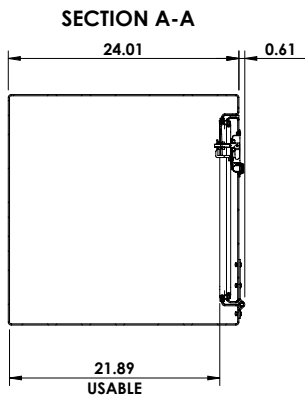
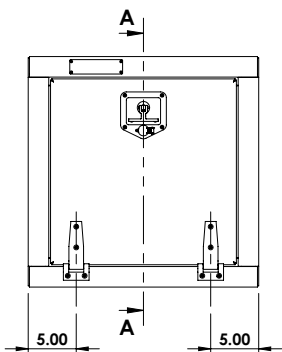
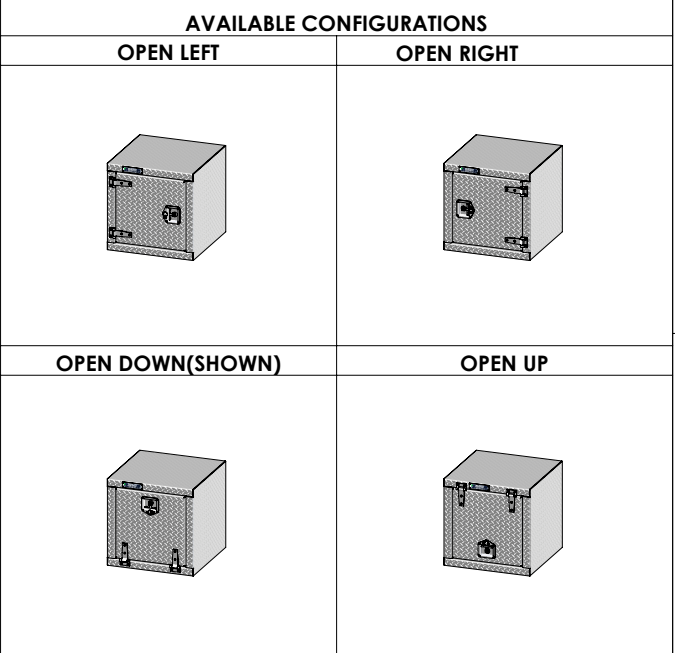


REINFORCEMENT ANGLE INSTALLED IN RIGHT AND LEFT BOTTOM CORNERS



DETAIL B  
SCALE 1 : 5



REVISIONS		
REV.	DESCRIPTION	DATE
1	INITIAL RELEASE	01/12/2017

Dimensions are in inches unless otherwise specified

PARTNO: **TRID2424**  
 DESCR: **24D" x 24H" x 24W" Under body tool box w/1 door Down hand , Locking t-handle**

MATERIAL: **0.125 Alum. Checkerplate 3003-H14**  
 APROX. WEIGHT: **52.05 LB** USABLE VOL.: **7.21 CU. FT.**  
 TOLERANCES: **.xx ± 0.13" .xxx ± 0.010"**

REV: **1**  
 DATE: **1/12/2017**



This Document is the sole property of **Trebor Manufacturing**

SHEET SCALE: **1:20** SHEET SIZE: **8.5" x 11"** PAGE: **1 OF 1**