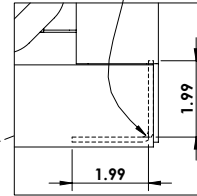
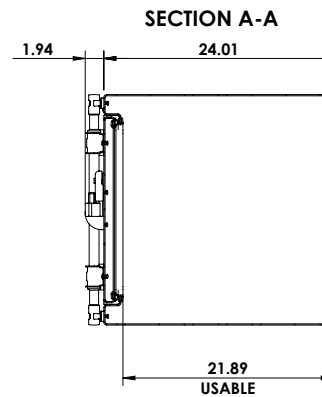
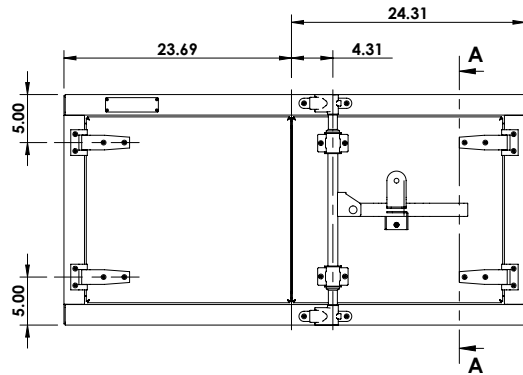
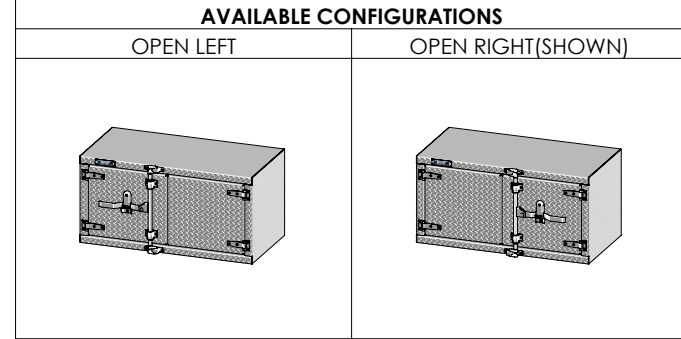


REINFORCEMENT ANGLE INSTALLED IN RIGHT AND LEFT BOTTOM CORNERS



DETAIL B
SCALE 1 : 5



REVISIONS		
REV.	DESCRIPTION	DATE
1	INITIAL RELEASE	01/12/2017

Dimensions are in inches unless otherwise specified	PART NO: TR2448P	MATERIAL: 0.125 Alum. Checkerplate 3003-H14		This Document is the sole property of Trebor Manufacturing
	DESCR: 24D" x 24H" x 48W" Under body tool box w/2 doors Right hand, Compression cam lock	APROX. WEIGHT: 95.92 LB		
		TOLERANCES: .xx ± 0.13" .xxx ± 0.010"	REV: 1	
		DATE: 1/12/2017	SHEET SCALE: 1:20	SHEET SIZE: 8.5" x 11" PAGE: 1 OF 1