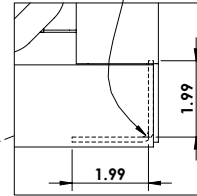
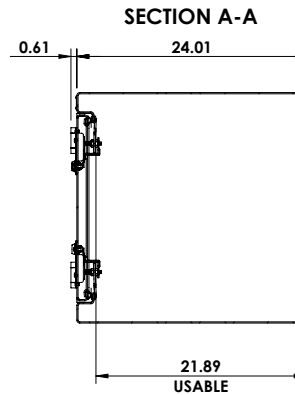
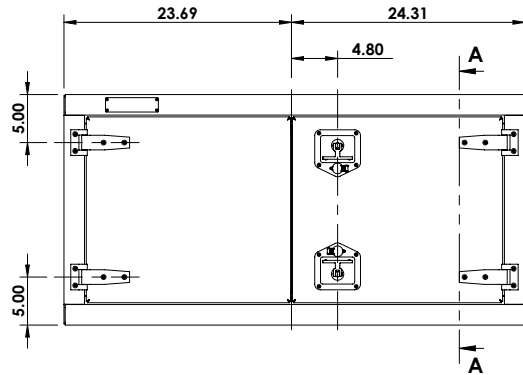


REINFORCMENT ANGLE INSTALLED IN
RIGHT AND LEFT BOTTOM CORNERS



DETAIL B
SCALE 1 : 5

AVAILABLE CONFIGURATIONS	
OPEN LEFT	OPEN RIGHT (SHOWN)



REVISIONS		
REV.	DESCRIPTION	DATE
1	INITIAL RELEASE	01/12/2017

Dimensions are in inches unless otherwise specified	PART NO: TR2448	MATERIAL: 0.125 Alum. Checkerplate 3003-H14	REV: 1		This Document is the sole property of Trebor Manufacturing
	DESCR: 24D" x 24H" x 48W" Under body tool box w/2 doors Right hand, Locking t-handle	Aprox. Weight: 87.70 LB	USABLE VOL.: 14.5 CU. FT.		
TOLERANCES: .xx ± 0.13" .xxx ± 0.010"			SHEET SCALE: 1:20	SHEET SIZE: 8.5" x 11"	PAGE: 1 OF 1