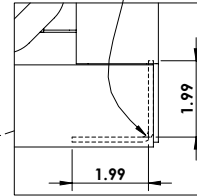


REINFORCEMENT ANGLE INSTALLED IN RIGHT AND LEFT BOTTOM CORNERS

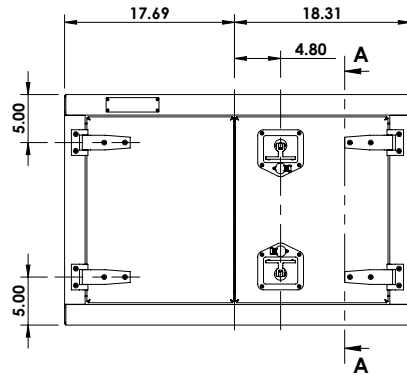
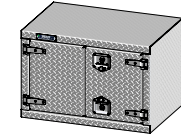
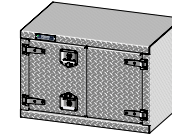


DETAIL B
SCALE 1 : 5

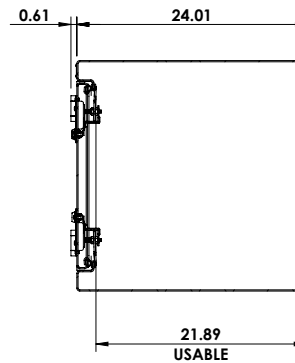
AVAILABLE CONFIGURATIONS

OPEN LEFT

OPEN RIGHT (SHOWN)



SECTION A-A



REVISIONS		
REV.	DESCRIPTION	DATE
1	INITIAL RELEASE	01/12/2017

REV: **1**
DATE: 1/12/2017



This Document is the sole property of Trebor Manufacturing

SHEET SCALE: 1:20 SHEET SIZE: 8.5" x 11" PAGE: 1 OF 1

Dimensions are in inches unless otherwise specified

PART NO: **TR2436**
DESCR: **24D" x 24H" x 36W" Under body tool box w/2 doors Right hand, Locking t-handle**

MATERIAL: **0.125 Alum. Checkerplate 3003-H14**
APROX. WEIGHT: **71.72 LB** USABLE VOL.: **10.86 CU. FT.**
TOLERANCES: **.xx ± 0.13" .xxx ± 0.010"**

	1	2	3	4	5	6						
A					AVAILABLE CONFIGURATIONS							
B					OPEN LEFT		OPEN RIGHT (SHOWN)					
C												
D					PART NO: TR2436 DESCR: 24D" x 24H" x 36W" Under body tool box w/2 doors Right hand, Locking t-handle		MATERIAL: 0.125 Alum. Checkerplate 3003-H14 APROX. WEIGHT: 71.72 LB USABLE VOL.: 10.86 CU. FT. TOLERANCES: .xx ± 0.13" .xxx ± 0.010"		REVISIONS <table border="1"> <thead> <tr> <th>REV.</th> <th>DESCRIPTION</th> <th>DATE</th> </tr> </thead> <tbody> <tr> <td>1</td> <td>INITIAL RELEASE</td> <td>01/12/2017</td> </tr> </tbody> </table> REV: 1 DATE: 1/12/2017 This Document is the sole property of Trebor Manufacturing SHEET SCALE: 1:20 SHEET SIZE: 8.5" x 11" PAGE: 1 OF 1		REV.	DESCRIPTION
REV.	DESCRIPTION	DATE										
1	INITIAL RELEASE	01/12/2017										
	1	2	3	4	5	6						