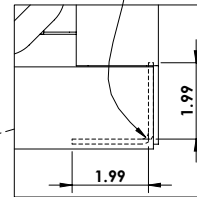
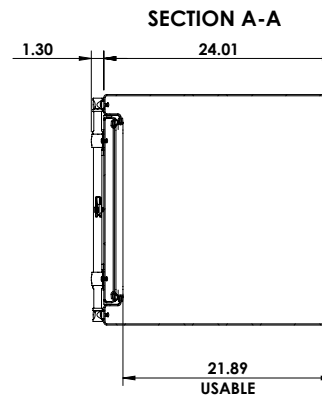
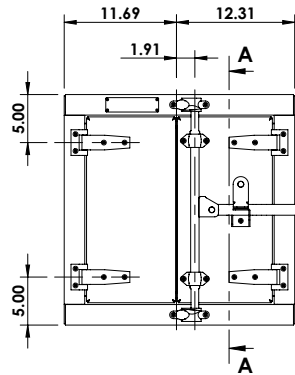
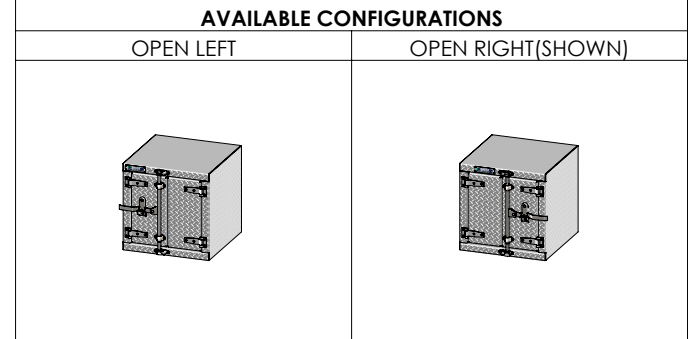


REINFORCEMENT ANGLE INSTALLED IN  
RIGHT AND LEFT BOTTOM CORNERS



DETAIL B  
SCALE 1 : 5



REVISIONS		
REV.	DESCRIPTION	DATE
1	INITIAL RELEASE	01/12/2017

Dimensions are in inches unless otherwise specified	PART NO: <b>TR2424P</b>	MATERIAL: <b>0.125 Alum. Checkerplate 3003-H14</b>		This Document is the sole property of <i>Trebor Manufacturing</i>
	DESCR: <b>24D" x 24H" x 24W" Under body tool box w/2 doors Right hand, Compression cam lock</b>	APROX. WEIGHT: <b>59.24 LB</b>		
		TOLERANCES: <b>.xx ± 0.13" .xxx ± 0.010"</b>	REV: <b>1</b> DATE: <b>1/12/2017</b>	SHEET SCALE: <b>1:20</b> SHEET SIZE: <b>8.5" x 11"</b> PAGE: <b>1 OF 1</b>