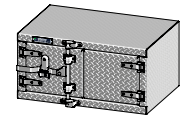


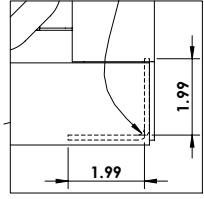
**AVAILABLE CONFIGURATIONS**

OPEN LEFT

OPEN RIGHT(SHOWN)

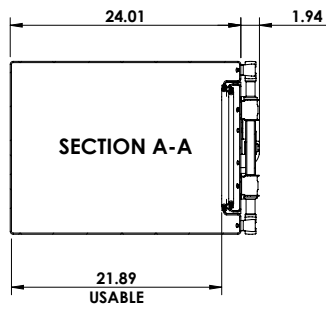


**REINFORCEMENT ANGLE INSTALLED IN  
RIGHT AND LEFT BOTTOM CORNERS**



**DETAIL B  
SCALE 1 : 5**

**SECTION A-A**



**REVISIONS**

REV.	DESCRIPTION	DATE
1	INITIAL RELEASE	01/12/2017

REV: **1**  
DATE: **1/12/2017**



This Document is the sole property of **Trebor Manufacturing**

SHEET SCALE: **1:20** SHEET SIZE: **8.5" x 11"** PAGE: **1 OF 1**

Dimensions are in inches unless otherwise specified

PARTNO: **TR1836P**  
DESCR: **24D" x 18H" x 36W" Under body tool box w/2 doors Right hand , Compression cam lock**

MATERIAL: **0.125 Alum. Checkerplate 3003-H14**  
APROX. WEIGHT: **69.18 LB** USABLE VOL.: **8.11 CU. FT.**  
TOLERANCES: **.xx ± 0.13" .xxx ± 0.010"**