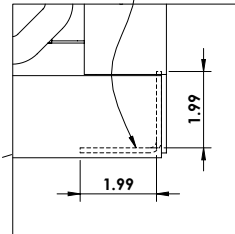
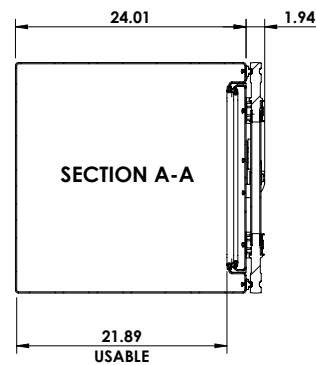
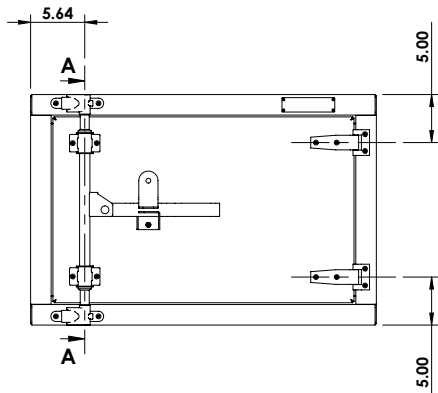
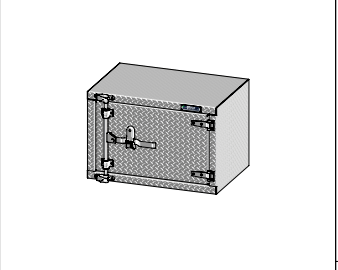
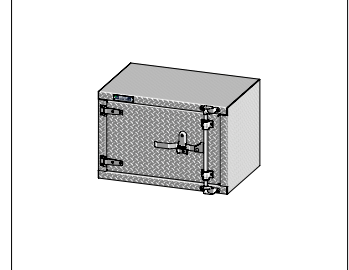


REINFORCEMENT ANGLE INSTALLED IN RIGHT AND LEFT BOTTOM CORNERS



DETAIL B
SCALE 1 : 5

AVAILABLE CONFIGURATIONS



REVISIONS		
REV.	DESCRIPTION	DATE
1	INITIAL RELEASE	01/12/2017

REV: **1**
DATE: 1/12/2017



This Document is the sole property of **Trebor Manufacturing**

SHEET SCALE: 1:20 SHEET SIZE: 8.5" x 11" PAGE: 1 OF 1

Dimensions are in inches unless otherwise specified

PART NO: **TRID2436P**
DESCR: **24D" x 24H" x 36W" Under body tool box w/1 door Right hand, Compression cam lock**

MATERIAL: **0.125 Alum. Checkerplate 3003-H14**
APROX. WEIGHT: **77.31 LB** USABLE VOL.: **10.86 CU. FT.**
TOLERANCES: **.xx ± 0.13" .xxx ± 0.010"**

	1	2	3	4	5	6
A	[Technical Drawings]				[Available Configurations]	
B	[Technical Drawings]				[Available Configurations]	
C	[Technical Drawings]				[Available Configurations]	
D	[Technical Drawings]				[Available Configurations]	
	1	2	3	4	5	6